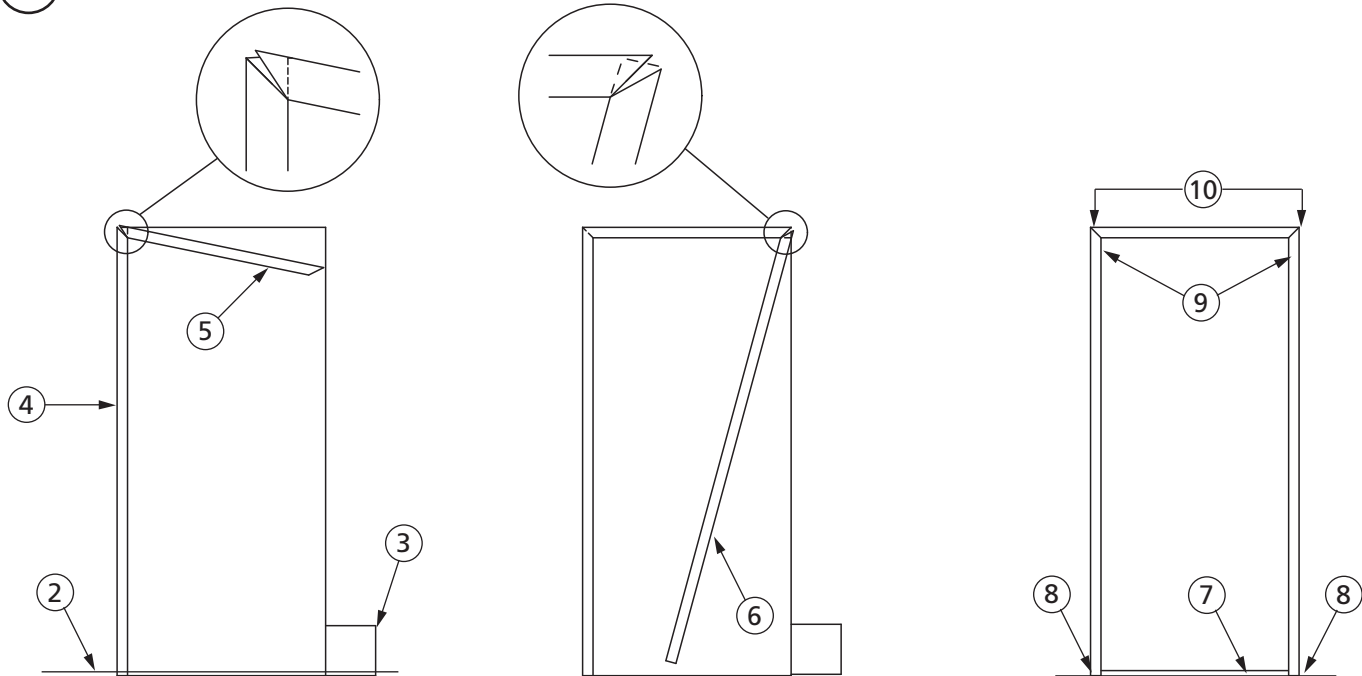


## FRAME TECHNICAL DATA

July, 2009

ASSA ABLOY, the global leader  
in door opening solutions



1. CONSTRUCT WALL WITH ROUGH OPENING HEIGHT EQUAL TO FINISHED OPENING HEIGHT PLUS 3/4" (19.1) TO 1" (25.4) MAX., ROUGH OPENING WIDTH IS AS FOLLOWS:
  - A) FOR 2" (50.8) FACE FRAMES-OPENING WIDTH PLUS 2-1/8" (54.0) TO 2-3/8" (60.3)
  - B) FOR 1-3/4" (44.5) AND 1-1/2" (38.1) FACE FRAMES-OPENING WIDTH PLUS 2" (50.8)
  - C) FOR "C" AND "CG" PROFILES, 3" (76.2) JAMB DEPTH 1-9/16" (39.7) RABBET AND 3" (76.2), 3-1/8" (79.4), 3-1/4" (82.6) AND 3-3/8" (85.7) JAMB DEPTH 1-15/16" (49.2) RABBET FRAMES-OPENING WIDTH PLUS 2-13/16" (71.4), ALL OTHER "C" AND "CG" PROFILE FRAMES-OPENING WIDTH PLUS 2-1/8" (54.0) TO 2-3/8" (60.3)
  - d) FOR 2" (50.8) FACE CASED OPENING - OPENING WIDTH PLUS 2-1/4" (57.2)
2. BOTTOM OF FRAME MUST SET ON A SOLID SURFACE.
3. IF WRAP-AROUND BASE ANCHOR IS USED, NOTCH DRYWALL IN THAT AREA.
4. RETRACT COMPRESSION BARS IN THE JAMBS BY TURNING SCREWS COUNTER CLOCKWISE AND INSTALL ONE JAMB IN POSITION ON WALL.
5. INSERT FRAME HEAD UNDER THE CORNER CLIPS OF THE JAMB AND RAISE INTO POSITION.
6. INSERT THE CORNER CLIPS OF THE REMAINING JAMB INTO THE OPPOSITE END OF THE HEAD AND POSITION JAMB ON WALL.
7. LOCATE A REMOVABLE FRAME SPACING BAR AT BASE OF CENTERED FRAME TO MAINTAIN PROPER OPENING WIDTH DURING INSTALLATION.
8. LEVEL, SQUARE AND PLUMB FRAME AND INSTALL BASE ANCHOR SCREWS THROUGH COUNTERSINK HOLES IN FRAME FACE AND INTO FLOOR PLATE.
9. SQUARE TOP OF FRAME AND TIGHTEN COMPRESSION BARS BY TURNING SCREWS CLOCKWISE. (DO NOT OVERTIGHTEN).
10. INSTALL (4) NO. 8 X 1/2" (12.7) SHEET METAL SCREWS AT THE CORNERS OF THE HEAD TO ATTACH HEAD TO JAMBS (REQUIRED FOR FIRE RATED FRAMES).